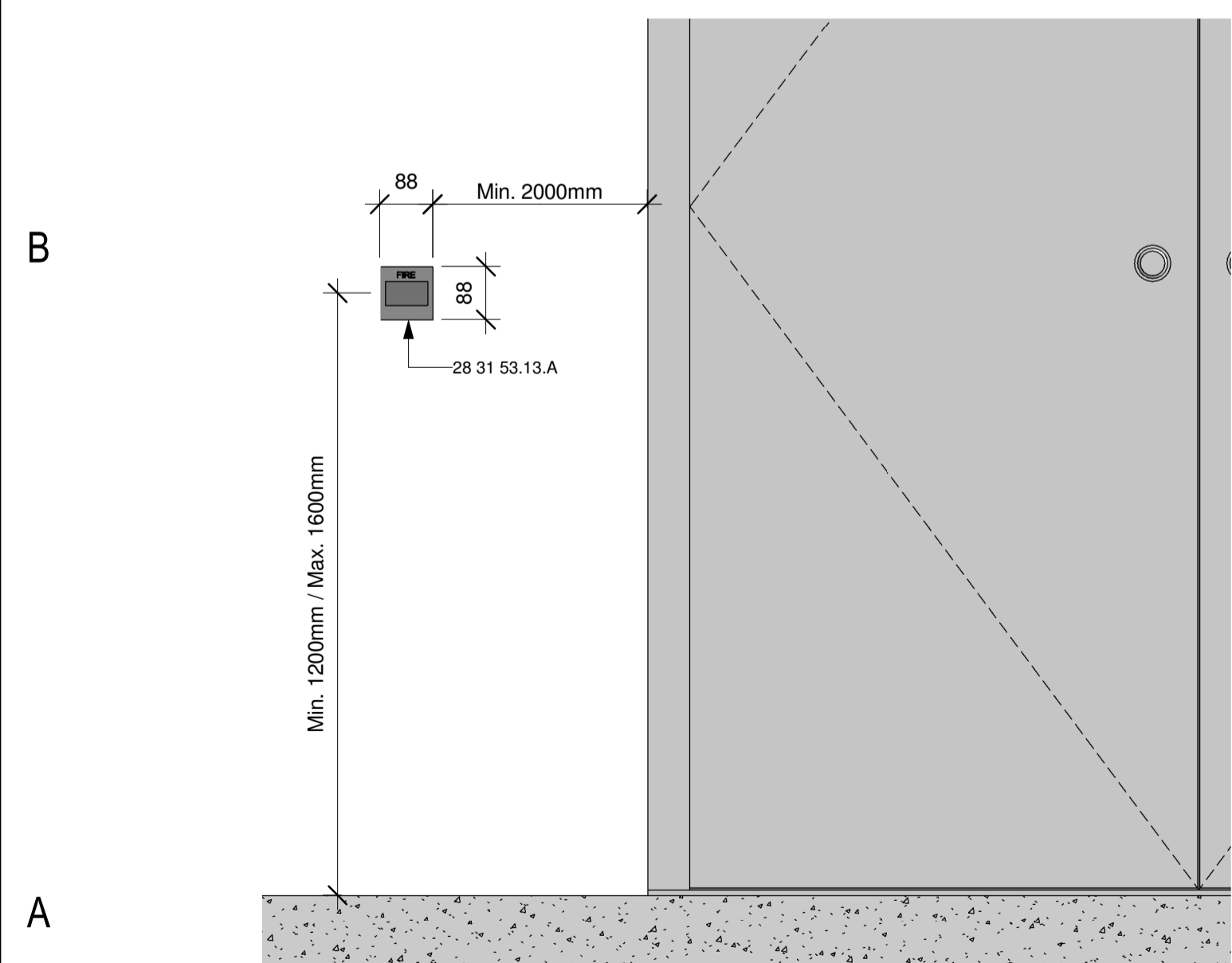
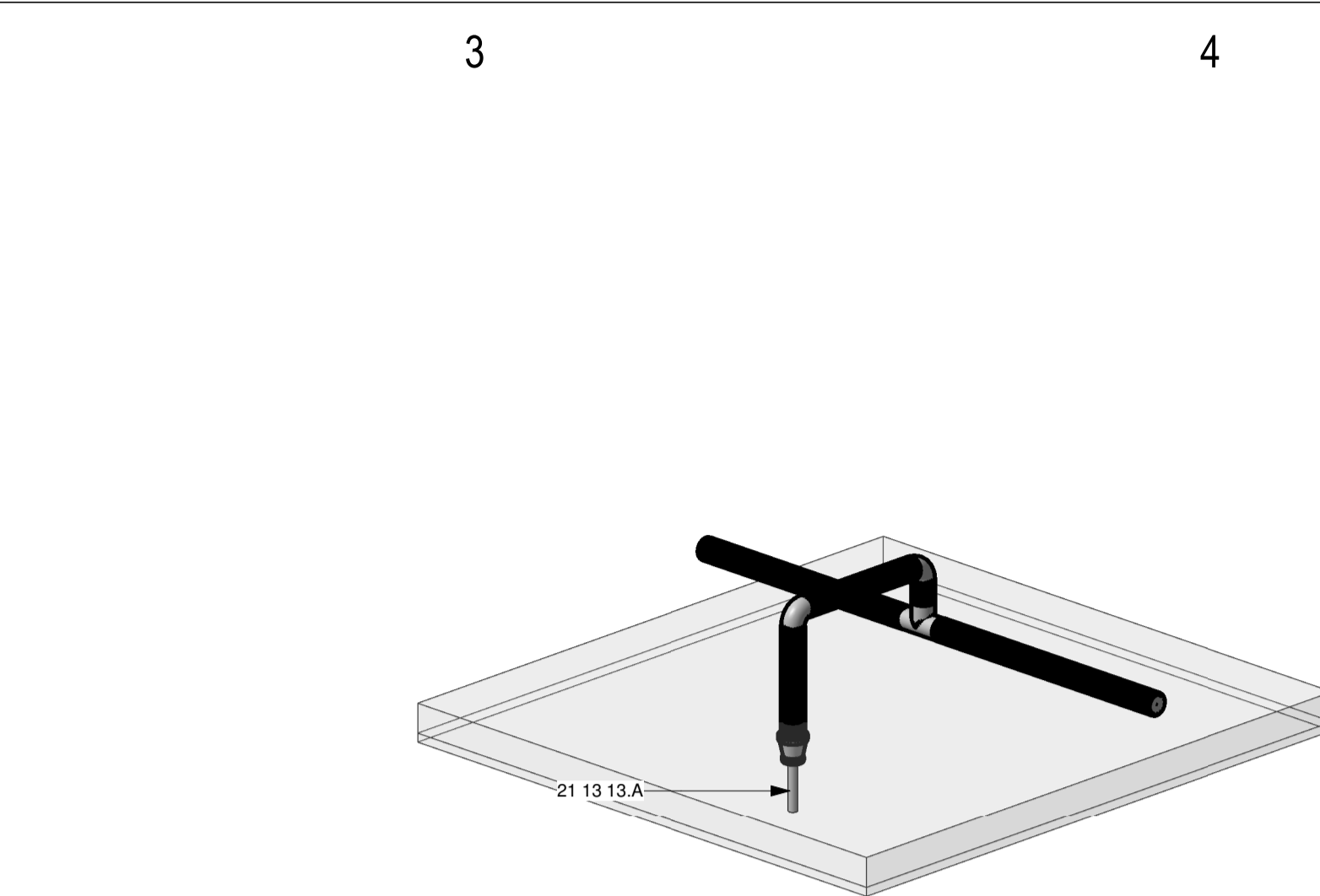
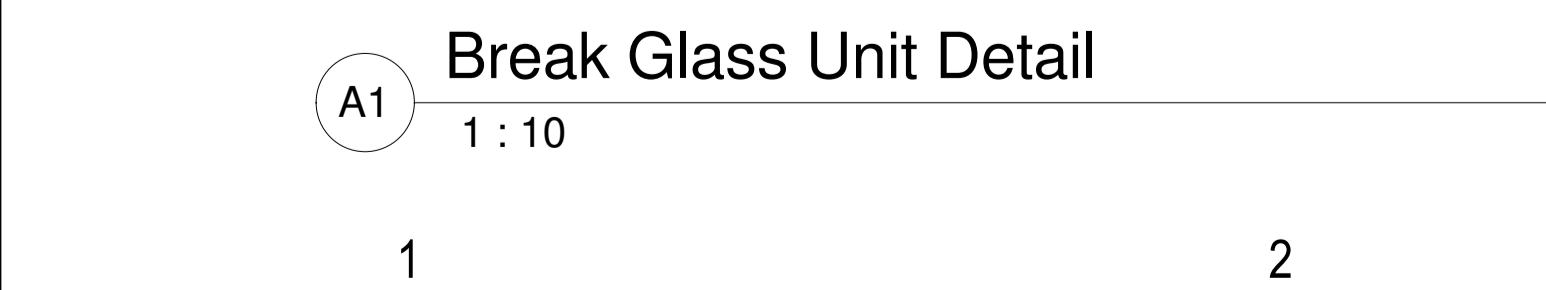


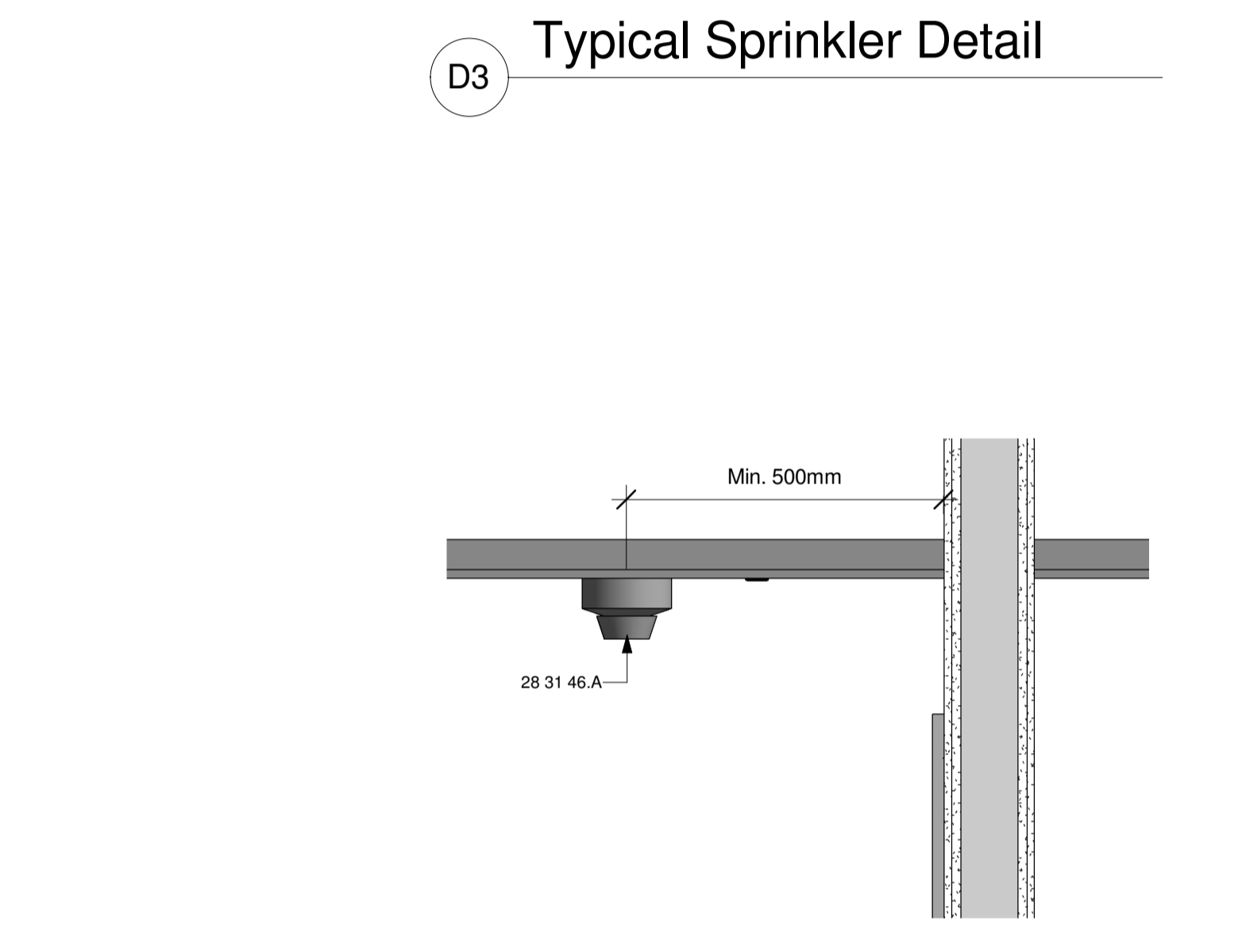
**C1** Fire Alarm Sounder Detail  
1 : 10



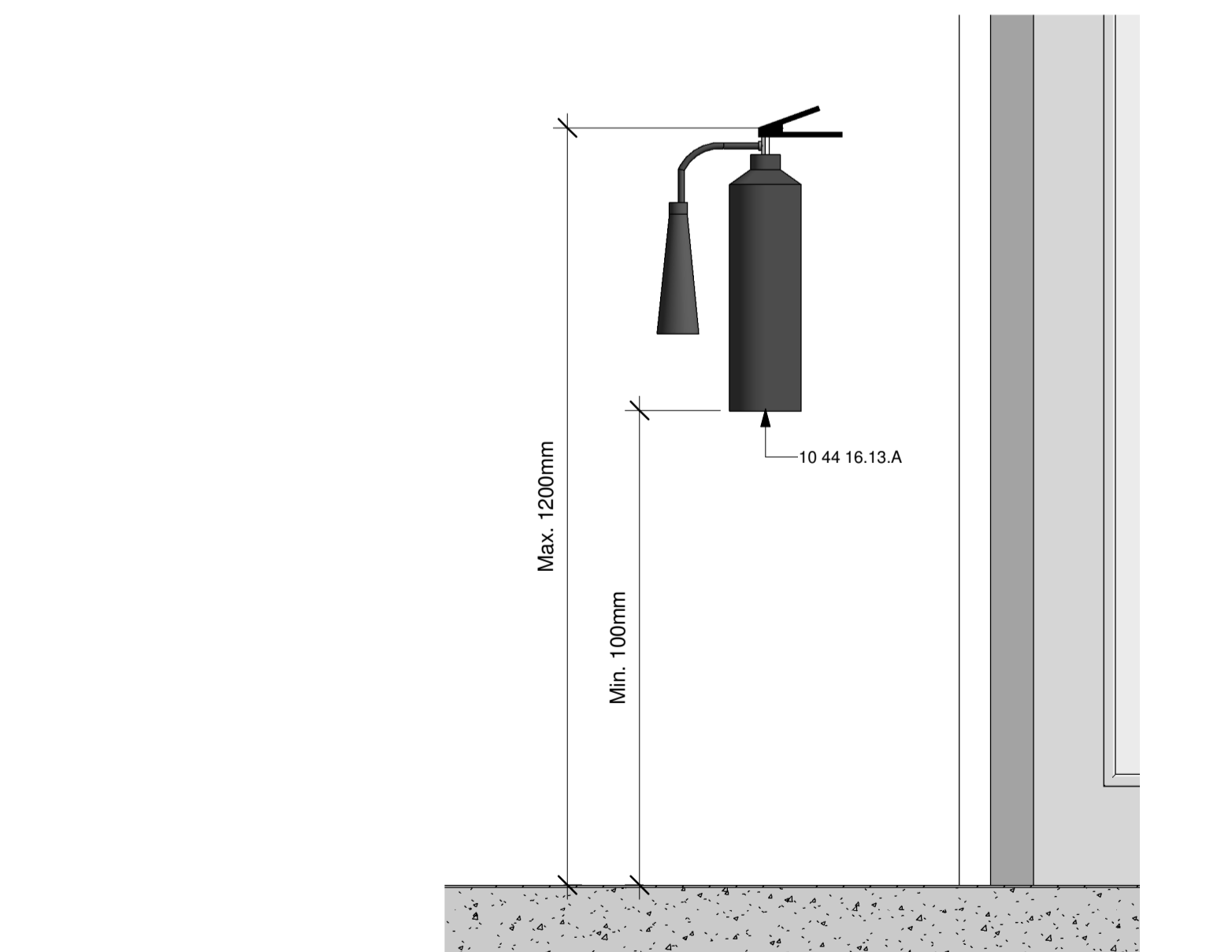
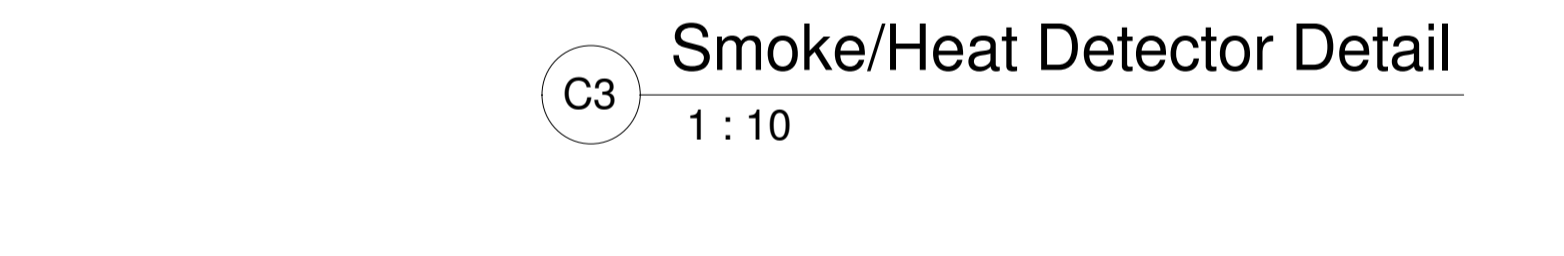
**A1** Break Glass Unit Detail  
1 : 10



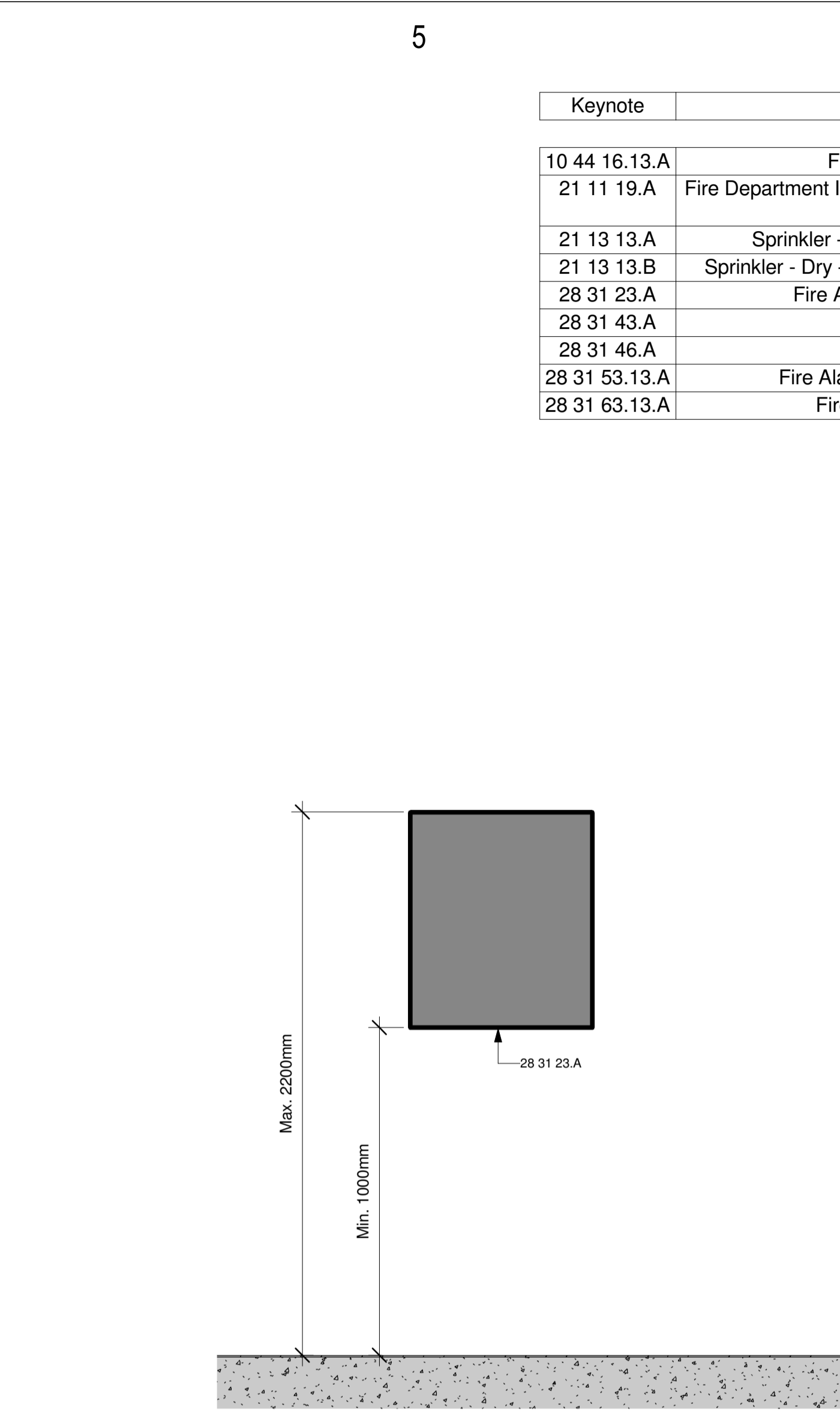
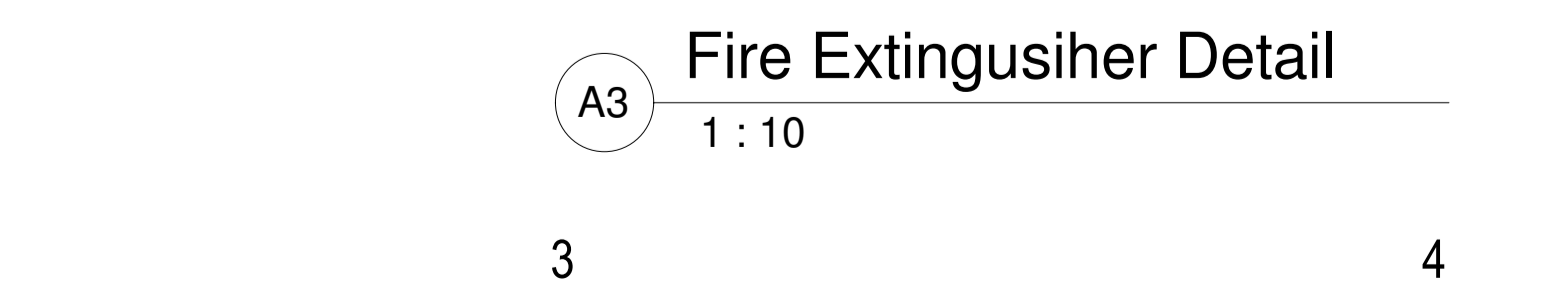
**D3** Typical Sprinkler Detail



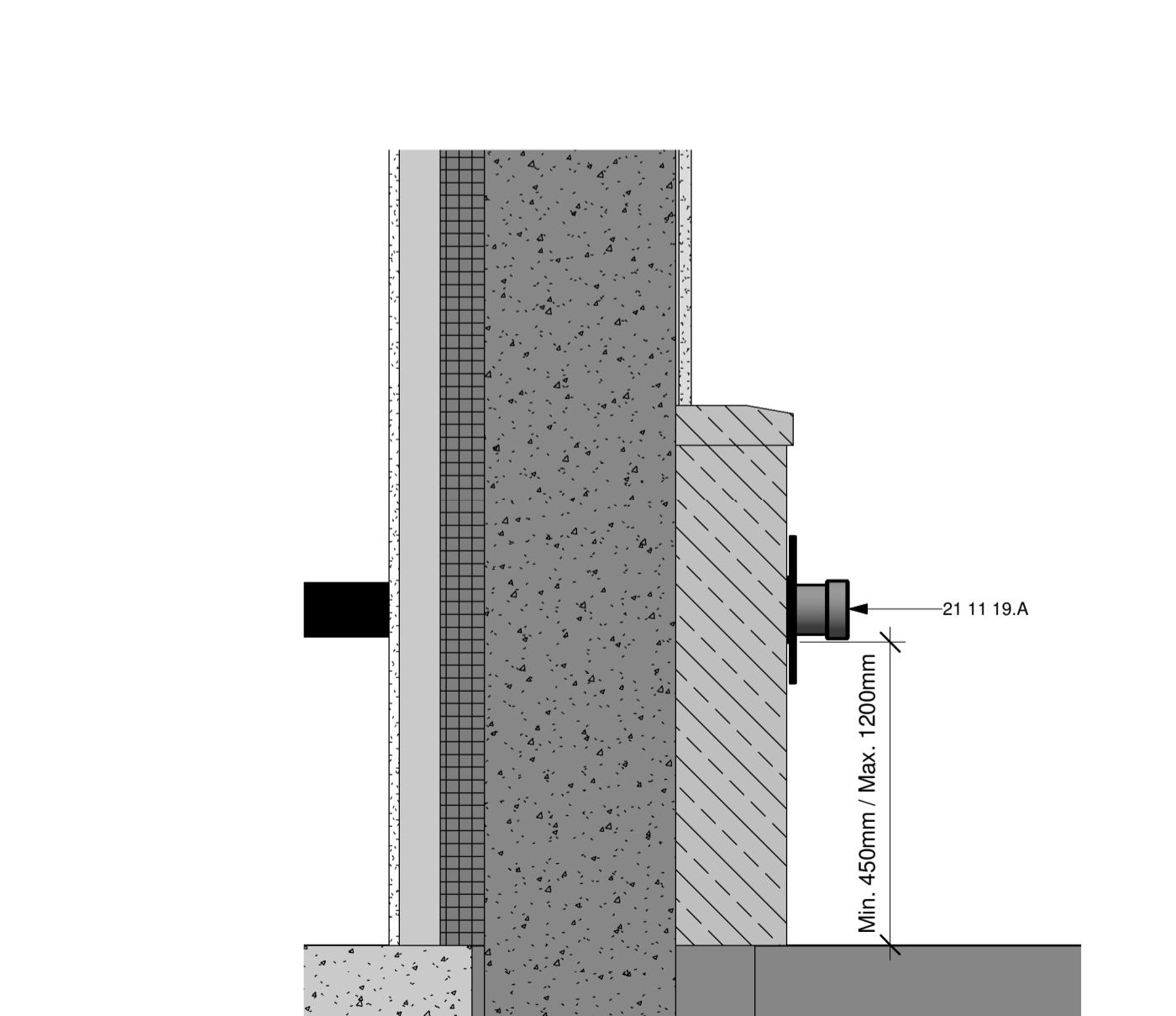
**C3** Smoke/Heat Detector Detail  
1 : 10



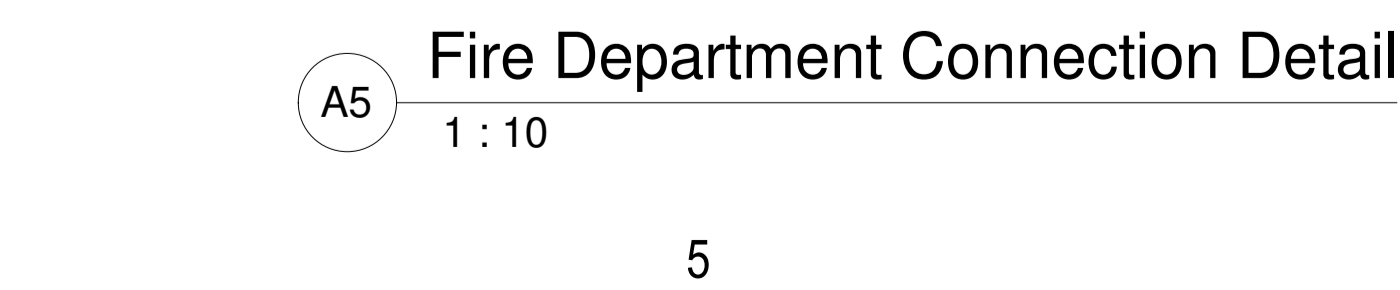
**A3** Fire Extinguisher Detail  
1 : 10



**C5** Fire Alarm Panel Detail  
1 : 10



**A5** Fire Department Connection Detail  
1 : 10



Keynote	Family
10 44 16.13.A	Fire Extinguisher
21 11 19.A	Fire Department Inlet Connection - 3 Way - Flush Plate
21 13 13.A	Sprinkler - Dry - Pendant - Hosted
21 13 13.B	Sprinkler - Dry - Horizontal Sidewall - Hosted
28 31 23.A	Fire Alarm Control Panel
28 31 43.A	Heat Detector
28 31 46.A	Smoke Alarm
28 31 53.13.A	Fire Alarm Break Glass Unit
28 31 63.13.A	Fire Alarm Sounder

THIS DESIGN IS NOT INTENDED TO MEET THE BUILDING CODES OR REGULATIONS OF ANY SPECIFIC COUNTRY OR JURISDICTION.  
SOME COMPONENTS HAVE BEEN OMITTED AS THE DESIGN WAS MODELLED EXCLUSIVELY USING OUT OF THE BOX REVIT FAMILIES.

**MMA ENVIRONMENTAL**  
M&E Consulting Engineers

4E Fingal Bay Business Park  
Balbriggan  
Co. Dublin  
K32 HN62  
Ireland

Email: info@mma.ie  
Phone: +353 1 6905040  
Web: www.mma.ie

**CERTIFIED**  
Net  
MANAGEMENT SYSTEM

**NSAI** Quality  
NSAI Certified

**ACEI** ASSOCIATION OF  
CONSULTING ENGINEERS  
OF IRELAND

Four Dormitory Complex  
East Healey Street,  
Champaign,  
Illinois,  
USA

**Prairie Sky Consulting**

1104 Parkview Drive  
Mahomet  
Illinois  
USA 61853

Email: bill\_east@prairieskyconsulting.com  
Phone: 309 - 807 - 1519  
Web: www.prairieskyconsulting.com/

REV	DATE	DESCRIPTION
5	21.07.17	Final Issue
4	04.07.17	Spaces Revised
3	20.06.17	Keynotes Revised
2	31.06.17	Issued for 2nd Review
1	26.05.17	Issued for Review

PROJECT NUMBER	East Dormitory
DRAWN BY	R.K.
CHECKED BY	B.E.
SCALE (@ A1)	1 : 10
DATE	05/23/17
STATUS	Final Issue
REVISION	5

PROJECT  
**Four Dormitory Complex**

TITLE  
**Typical Installation Details**

**F-501**

**SHEET 3 OF 4**

THIS DRAWING IS THE PROPERTY OF MMA ENVIRONMENTAL AND SHALL NOT BE USED, REPRODUCED OR DISCLOSED TO ANYONE WITHOUT THE PRIOR WRITTEN PERMISSION OF MMA ENVIRONMENTAL.