



Four Dormitory Complex
East Healy Street,
Champaign,
Illinois,
USA

Prairie Sky Consulting

1104 Parkview Drive
Mahomet
Illinois
USA 61853

Email: bill_east@prairieskyconsulting.com
Phone: 309 - 807 - 1519
Web: www.prairieskyconsulting.com/

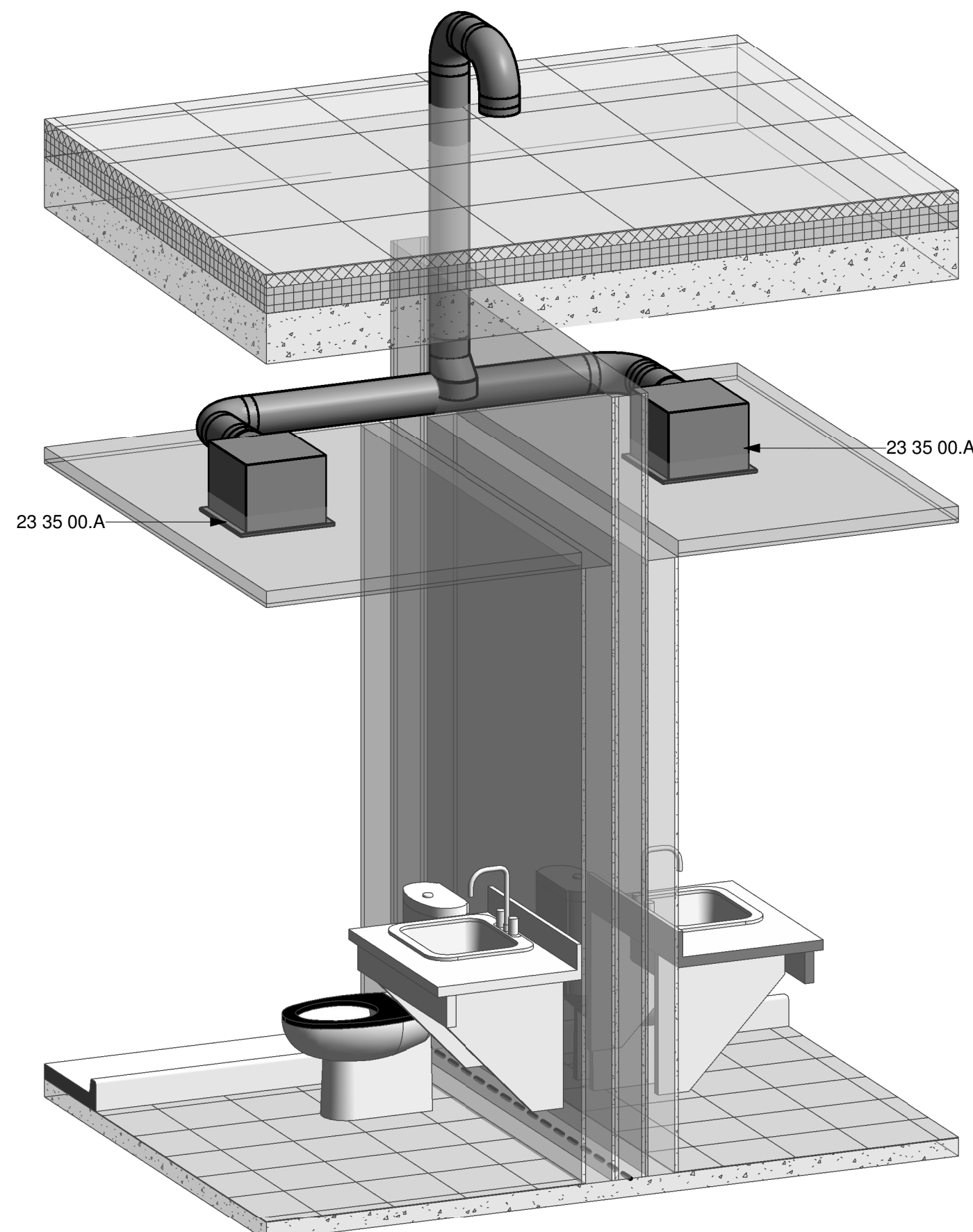
REV	DATE	DESCRIPTION
3	21.07.17	Final Issue
2	11.07.17	Keynote Revised
1	23.06.17	Issued for Information

PROJECT NUMBER	East Dormitory
DRAWN BY	R.K.
CHECKED BY	B.E.
SCALE (@ A1)	1 : 10
DATE	05/26/17
STATUS	Final Issue
REVISION	3

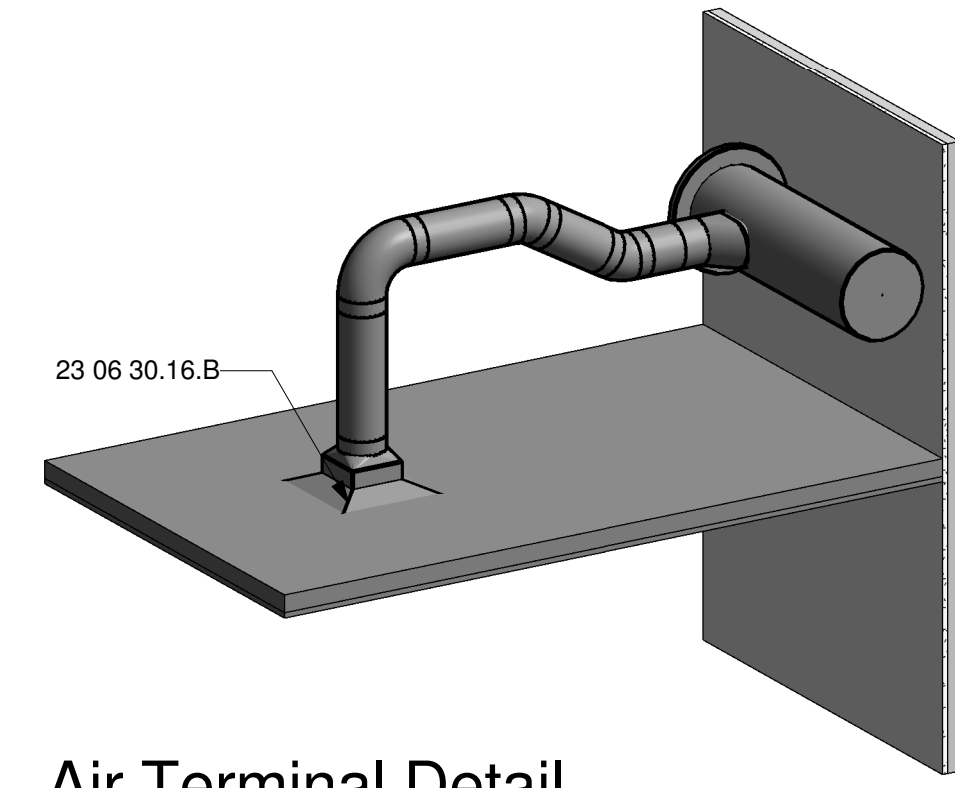
PROJECT	Four Dormitory Complex
TITLE	Typical Installation Details
	MMH501
	SHEET 4 OF 5

THIS DRAWING IS THE PROPERTY OF MMA ENVIRONMENTAL AND SHALL NOT BE USED, REPRODUCED OR DISCLOSED TO ANYONE WITHOUT THE PRIOR WRITTEN PERMISSION OF MMA ENVIRONMENTAL.

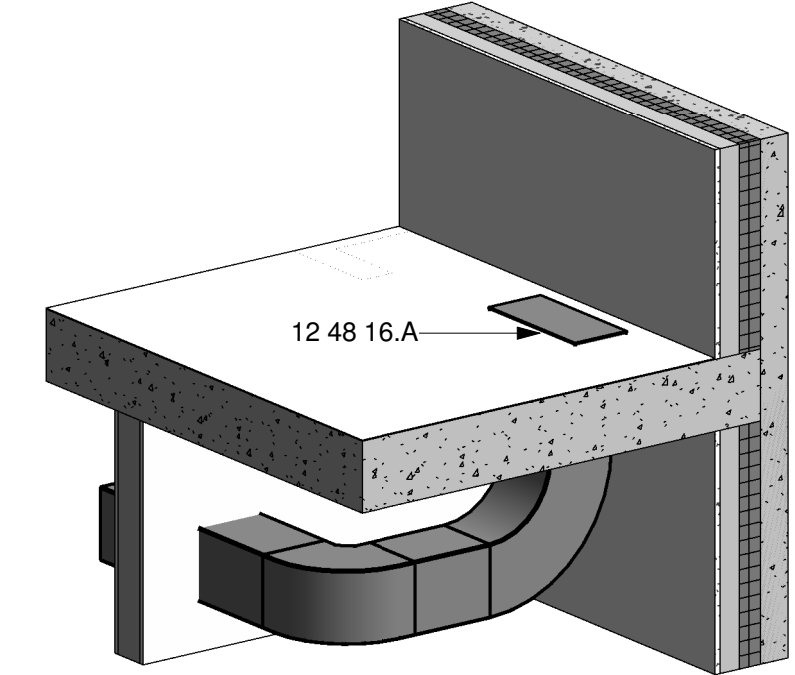
Keynote	Family
12 48 16.A	Floor_Grille
23 06 30.16.A	Supply Diffuser
23 06 30.16.B	Supply Diffuser
23 06 30.16.C	Supply Diffuser
23 06 70.13.A	Air Handling Unit
23 35 00.A	Ceiling-Exhaust-SP-A
23 36 16.A	VAV Unit
23 82 23.A	Intake Hood



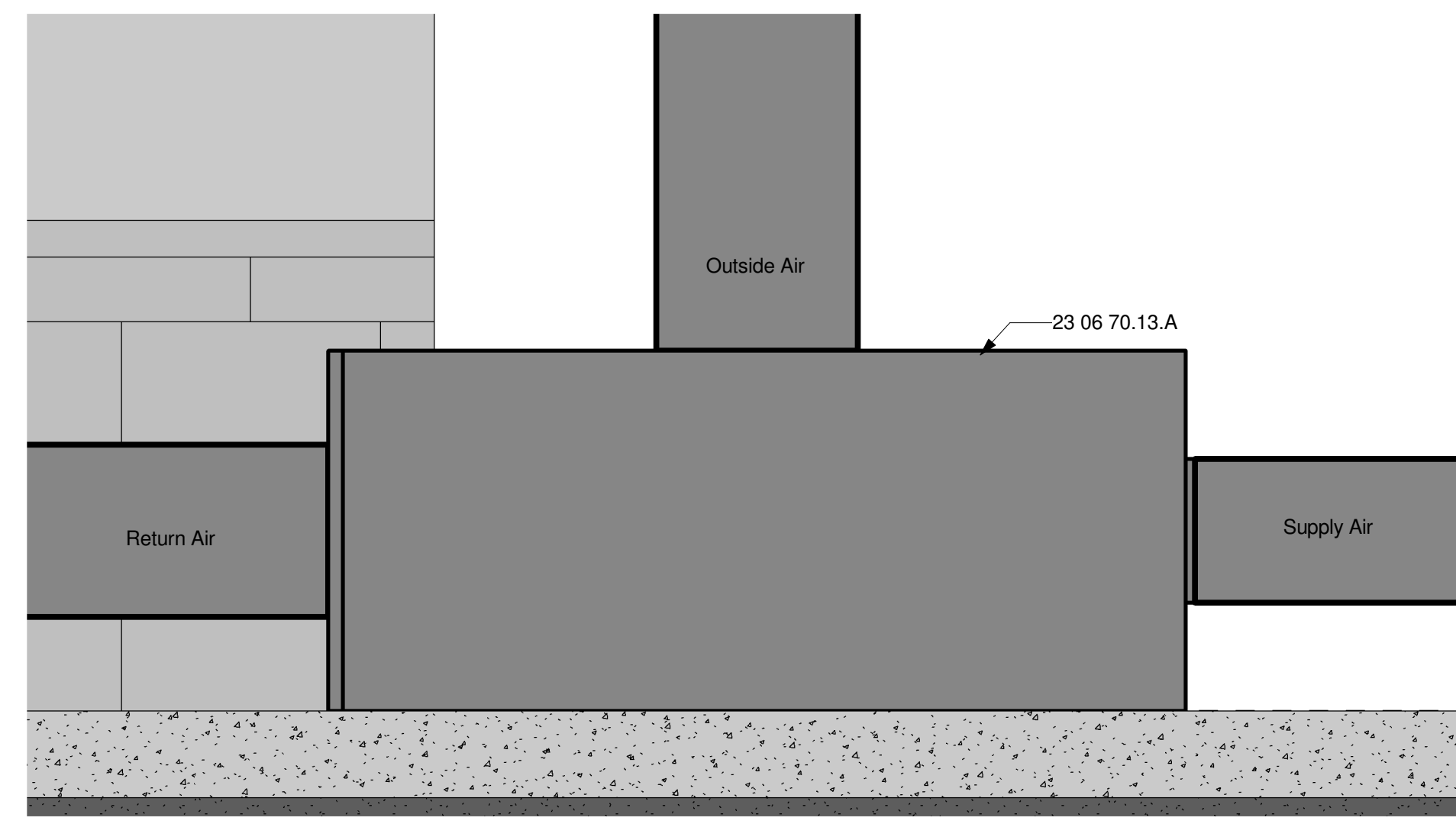
C1 Ceiling Exhaust Detail



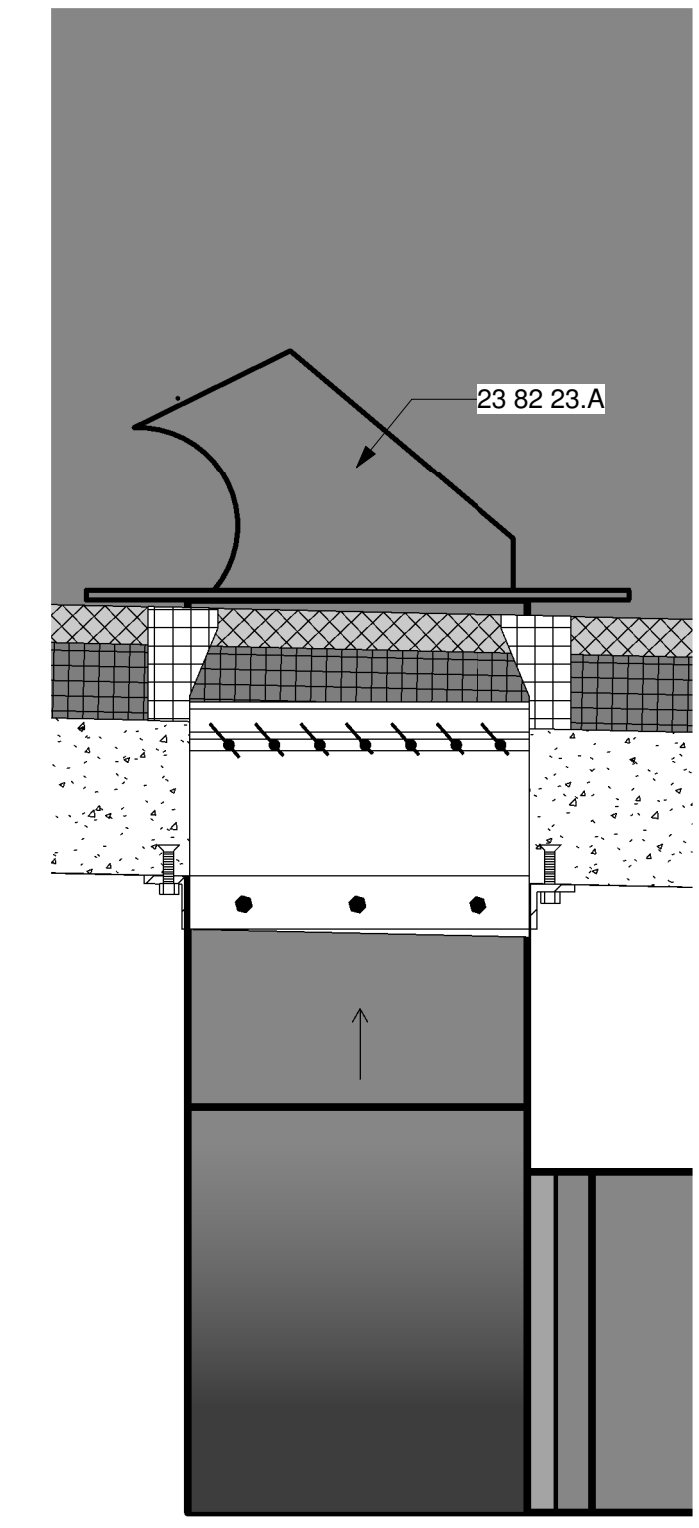
C3 Air Terminal Detail



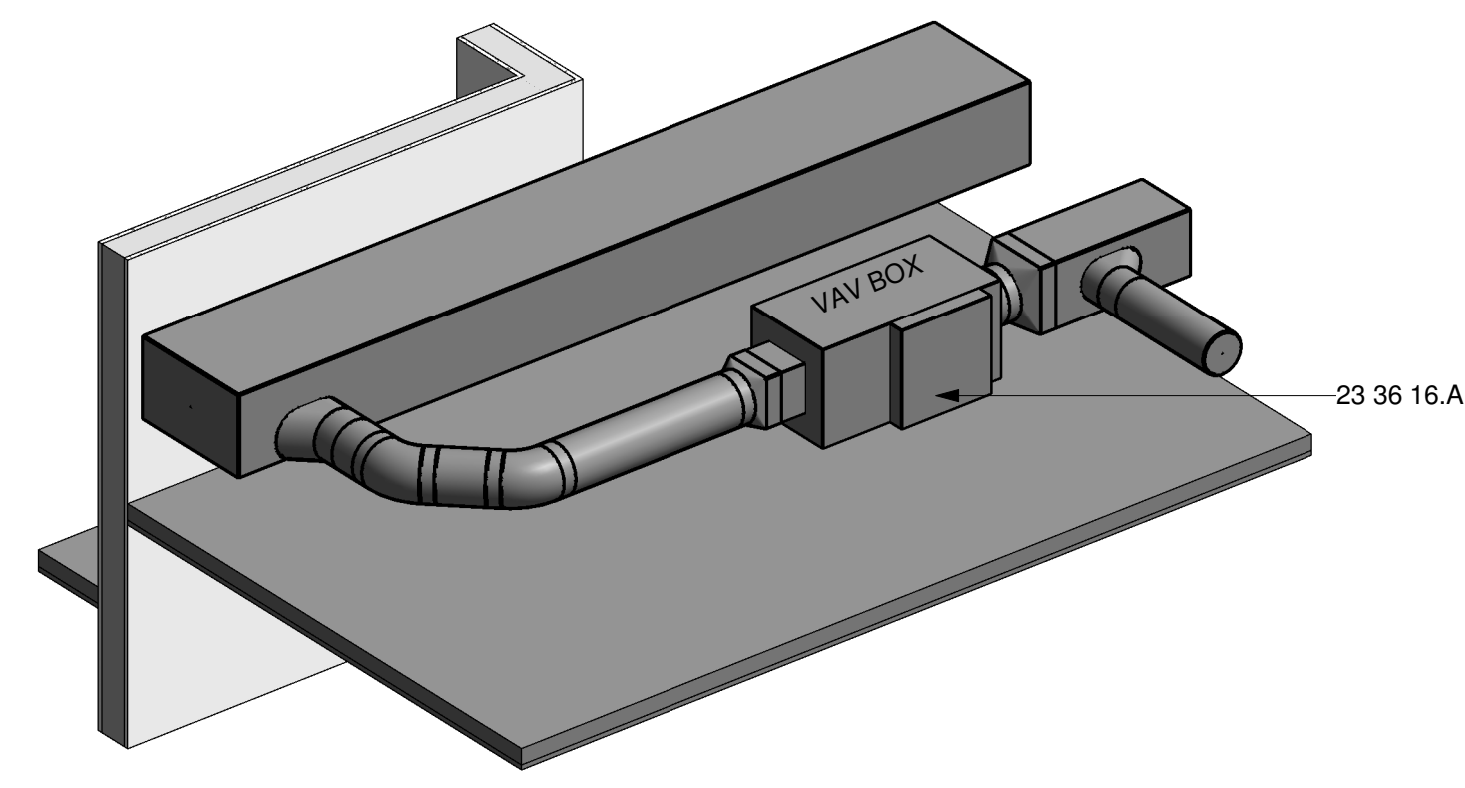
C5 Floor Grill Detail



A1 Typical AHU Configuration
1 : 10



A3 Roof Mounted Intake Hood Detail
1 : 10



B5 VAV Box Detail

THIS DESIGN IS NOT INTENDED TO MEET THE BUILDING CODES OR REGULATIONS OF ANY SPECIFIC COUNTRY OR JURISDICTION.
SOME COMPONENTS HAVE BEEN OMITTED AS THE DESIGN WAS MODELLED EXCLUSIVELY USING OUT OF THE BOX REVIT FAMILIES.